

Custom TPO or PVC Accessory Quote Request Form

Contractor Name: _____

Job Name & Location: _____

Ship To Address: (Street) _____

(City/State/Zip Code) _____

Distributor (bill to): _____

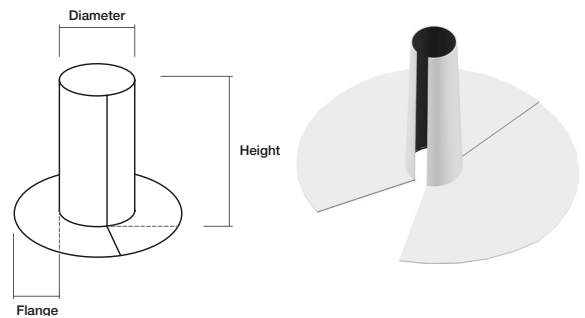
Please submit this form to your Carlisle distributor.

Custom accessories are made to order and are non-returnable. Please verify all measurements and complete all information for the item(s) you are requesting. Actual product may differ slightly from pictures shown. All custom accessories are fabricated from reinforced 60-mil membrane (unless other thickness is specified). All PVC accessories are fabricated using KEE HP, except for slate gray and light gray accessories (standard PVC only). Diameter = Circumference ÷ 3.14

Pipe Seal

Material: TPO PVC
Seam: Open/Split Welded/Closed
Color: White Slate Gray Patina Green (TPO Only)
 Gray Light Gray (PVC only) Rock Brown (TPO Only)
 Tan Medium Bronze (TPO Only) Terra Cotta (TPO Only)

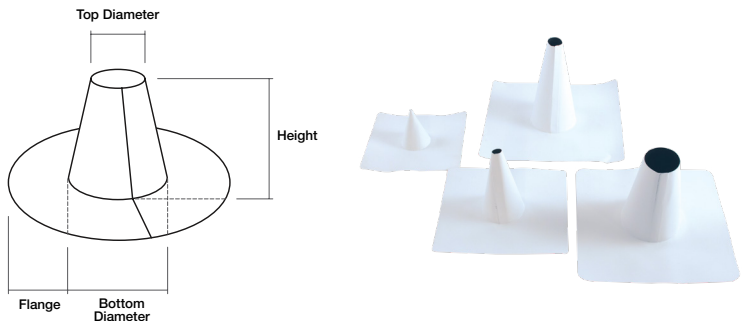
Quantity: _____
Diameter: _____
Height (8" standard): _____
Flange (5" standard): _____



Cone Pipe Seal

Material: TPO PVC
Seam: Welded/Closed
Color: White Slate Gray Patina Green (TPO Only)
 Gray Light Gray (PVC only) Rock Brown (TPO Only)
 Tan Medium Bronze (TPO Only) Terra Cotta (TPO Only)

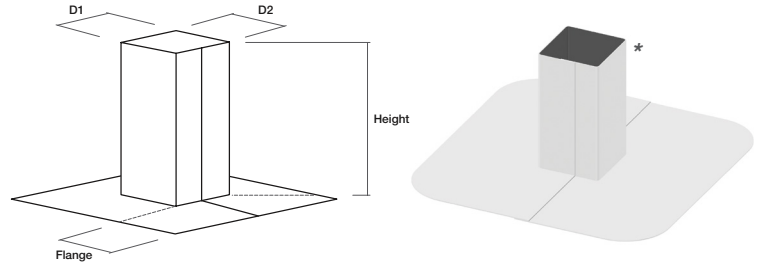
Quantity: _____
Top Diameter: _____
Bottom Diameter: _____
Height (8" standard): _____
Flange (5" standard): _____



Square Tube Wrap

Material: TPO PVC
Seam: Open/Split Welded/Closed
Color: White Slate Gray Patina Green (TPO Only)
 Gray Light Gray (PVC only) Rock Brown (TPO Only)
 Tan Medium Bronze (TPO Only) Terra Cotta (TPO Only)

Quantity: _____
Dimensions: (D1) _____ (D2) _____
Height (8" standard): _____
Flange (5" standard): _____

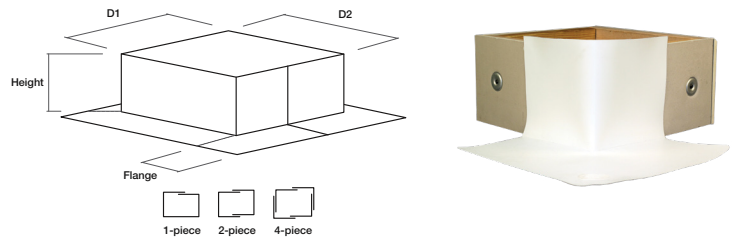


Max size: 12" x 12". If larger, use curb wrap. *Pressure-Sensitive Termination Flashing included.

Curb Wrap

Material: TPO PVC
Type: 1 piece 2 piece 4 piece
Seam: Open/Split Welded/Closed
Color: White Slate Gray Patina Green (TPO Only)
 Gray Light Gray (PVC only) Rock Brown (TPO Only)
 Tan Medium Bronze (TPO Only) Terra Cotta (TPO Only)

Quantity: _____
Dimensions: (D1) _____ (D2) _____
Height (12" standard): _____
Flange (6" standard): _____



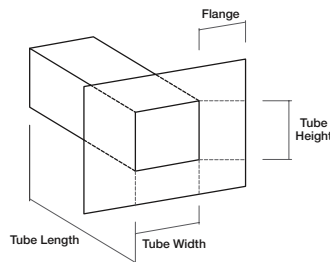
Min size: 12" x 12"

Scuppers/Drains

Material: TPO PVC
Type: Wall Overflow Wall Deck Level
Color: White Slate Gray Patina Green (TPO Only)
 Gray Light Gray (PVC only) Rock Brown (TPO Only)
 Tan Medium Bronze (TPO Only) Terra Cotta (TPO Only)

Quantity: _____
Tube Width: _____
Tube Height: _____
Tube Length: _____
Flange Width: _____

Thru Wall Overflow



Thru Wall Deck Level



Pourable Sealer Pocket

Material: TPO PVC

Color: White Slate Gray Patina Green (TPO Only)
 Gray Light Gray (PVC only) Rock Brown (TPO Only)
 Tan Medium Bronze (TPO Only) Terra Cotta (TPO Only)

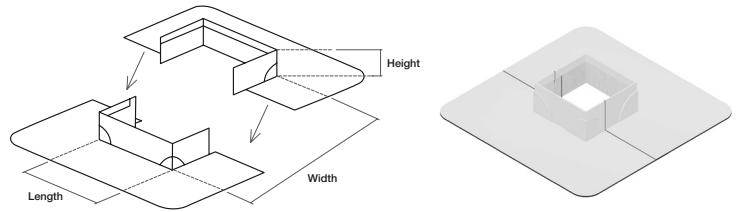
Quantity: _____

Length: _____

Width: _____

Height: _____

(Standard Height: 2")



Louver Vents*

Material: TPO PVC

Color*: White Slate Gray Patina Green (TPO Only)
 Gray Light Gray (PVC only) Rock Brown (TPO Only)
 Tan Medium Bronze (TPO Only) Terra Cotta (TPO Only)

Quantity: _____

Standard Size: 14" x 18" 14" x 24" 14" x 12"
 12" x 18" 12" x 12"
 Bonderized 14" x 18"



Wall Vents*

Material: TPO PVC

Color*: White Slate Gray Patina Green (TPO Only)
 Gray Light Gray (PVC only) Rock Brown (TPO Only)
 Tan Medium Bronze (TPO Only) Terra Cotta (TPO Only)

Quantity: _____

Standard Size: 12" 16" 24"



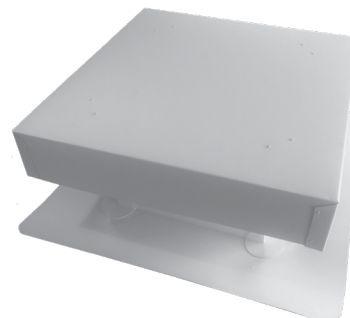
Gravity Vents*

Material: TPO PVC

Color*: White Slate Gray Patina Green (TPO Only)
 Gray Light Gray (PVC only) Rock Brown (TPO Only)
 Tan Medium Bronze (TPO Only) Terra Cotta (TPO Only)

Quantity: _____

Standard Size: 12"x12" 18"x18" 24"x24"



*** The vents themselves are white in color. The pre-welded skirt is available in eight color options.**

